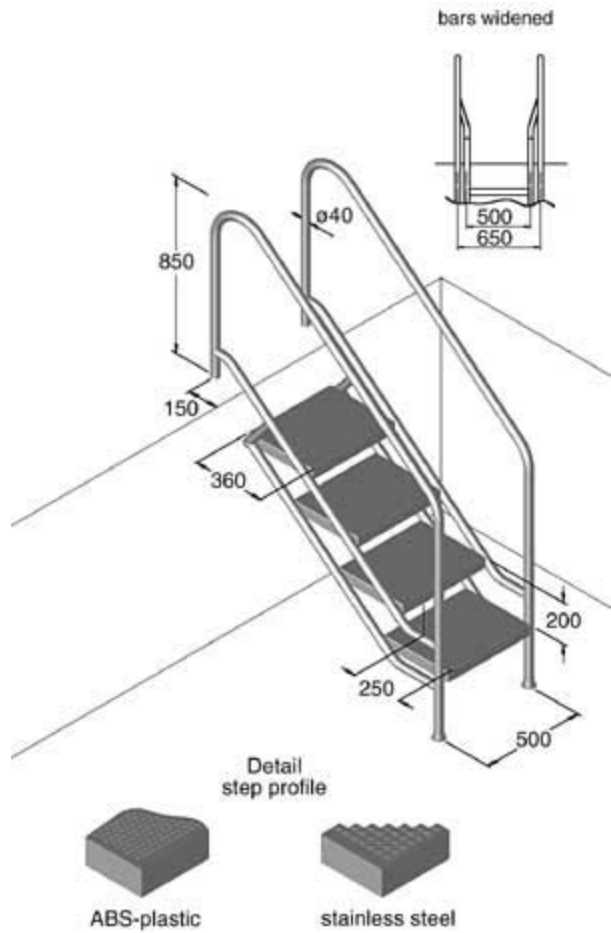
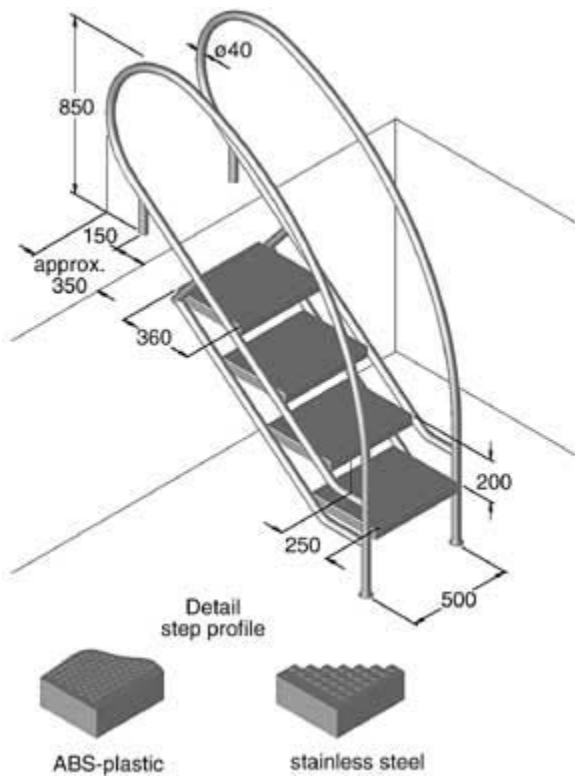


Allasportaat leveät - MIAMI



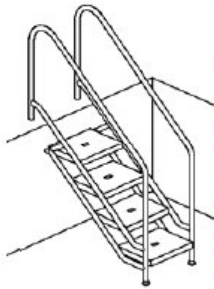
	maximum pool depth	overhang inside pool
for 4 Steps	max 1199 mm	max 1088 mm
for 5 Steps	max 1399 mm	max 1338 mm
for 6 Steps	max 1599 mm	max 1588 mm
for 7 Steps	max 1799 mm	max 1838 mm
for 8 Steps	max 1999 mm	max 2088 mm

	maximum pool depth	overhang inside pool
for 4 Steps	max 1199 mm	max 1088 mm
for 5 Steps	max 1399 mm	max 1338 mm
for 6 Steps	max 1599 mm	max 1588 mm
for 7 Steps	max 1799 mm	max 1838 mm
for 8 Steps	max 1999 mm	max 2088 mm

MODEL 08	Stairs MIAMI	ø40 *316*	Drawing 08.6-08.6.1
-----------------	---------------------	------------------	----------------------------

Description	Weight approx. kg	Model No.	€/piece
-------------	----------------------	-----------	---------

Special construction: Please observe the delivery time!

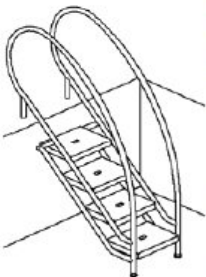


Stair width 500 steps 360 deep			
4 steps VARIO <u>without</u> assembly kit	INOX steps	37.8	08 08 54 A
5 steps VARIO <u>without</u> assembly kit	INOX steps	45.2	08 08 55 A
6 steps VARIO <u>without</u> assembly kit	INOX steps	52.6	08 08 56 A
7 steps VARIO <u>without</u> assembly kit	INOX steps	60.0	08 08 57 A
8 steps VARIO <u>without</u> assembly kit	INOX steps	67.4	08 08 58 A

ABS steps for private pools only!

Please specify:
pool depth

Stair width 500 steps 360 deep			
4 steps VARIO <u>without</u> assembly kit	ABS steps	27.9	08 08 34 A
5 steps VARIO <u>without</u> assembly kit	ABS steps	32.9	08 08 35 A
6 steps VARIO <u>without</u> assembly kit	ABS steps	37.9	08 08 36 A
7 steps VARIO <u>without</u> assembly kit	ABS steps	42.9	08 08 37 A
8 steps VARIO <u>without</u> assembly kit	ABS steps	47.9	08 08 38 A



Bars widened to 650 (with constant step width 500, not for type SWING) A

Type **SWING** handrails A

Assembly kit anchor socket	*316*	1.1	66 44 21 C
Assembly kit flange fixing	*316*	1.0	66 44 22 C

Type Swing