

# Pronssipumput karkeasuodattimella

## BRONZE PUMP P01



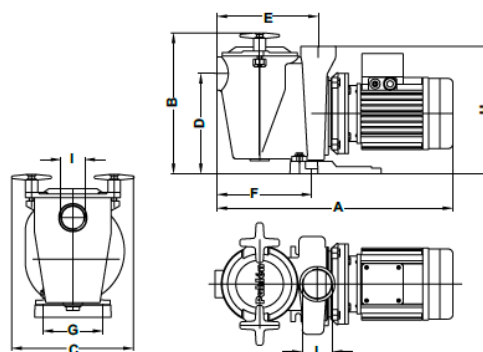
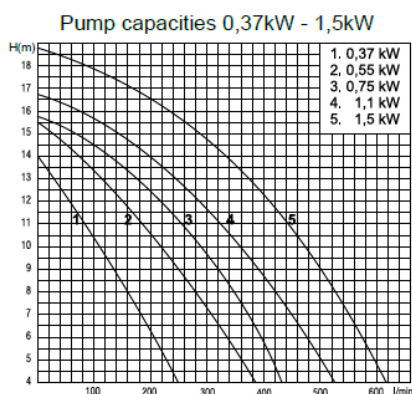
Item no. 120105

See chapter water treatment for suitable pump

Technical data					Ampere	
Item no.	kW	Hz	Phase	Voltage	230V	400V
120100	0,37	50	3	230/400	1,75	1,0
120105	0,55	50	3	230/400	2,5	1,4
120110	0,75	50	3	230/400	2,95	1,7
120115	1,1	50	3	230/400	4,2	2,4
120120	1,5	50	3	230/400	5,6	3,25
120200	0,37	50	1	230	2,5	-
120205	0,55	50	1	230	4,2	-
120210	0,75	50	1	230	5,0	-
120215	1,1	50	1	230	6,65	-
120220	1,5	50	1	230	8,8	-

Technical data					
Item no.	kW	Hz	Phase	Voltage	Ampere
120100HZ	0,4	60	3	450	0,85
120105HZ	0,6	60	3	450	1,2
120110HZ	0,8	60	3	450	1,6
120115HZ	1,2	60	3	450	2,3
120120HZ	1,6	60	3	450	3,1

- **Pump housing and pump impeller made of bronze** - For optimum quality and life.
- **Pump shaft made of acid-resistant stainless steel** - For increased corrosion protection.
- **High-quality motors** - For cost-effective operation and long life.
- **Pre-filter made of bronze with filter basket of composite material** - Easy access for cleaning of the filter basket.
- **Equipped with drainage plug** - For easy draining of water, for instance at the end of the season.
- **Tested and certified by a Notified Body** - Important for product safety.



### Dimensions

Item no.	A	B	C	D	E	F	G	H	I
120100, 120100HZ, 120200	470	285	245	210	202	160	126,5	255	2"
120105, 120105HZ, 120205	470	285	245	210	202	160	126,5	255	2"
120110, 120110HZ, 120210	510	285	245	210	202	160	126,5	255	2"
120115, 120115HZ, 120215	510	285	245	210	202	160	126,5	255	2"
120120, 120120HZ, 120220	510	285	245	210	202	160	126,5	255	2"